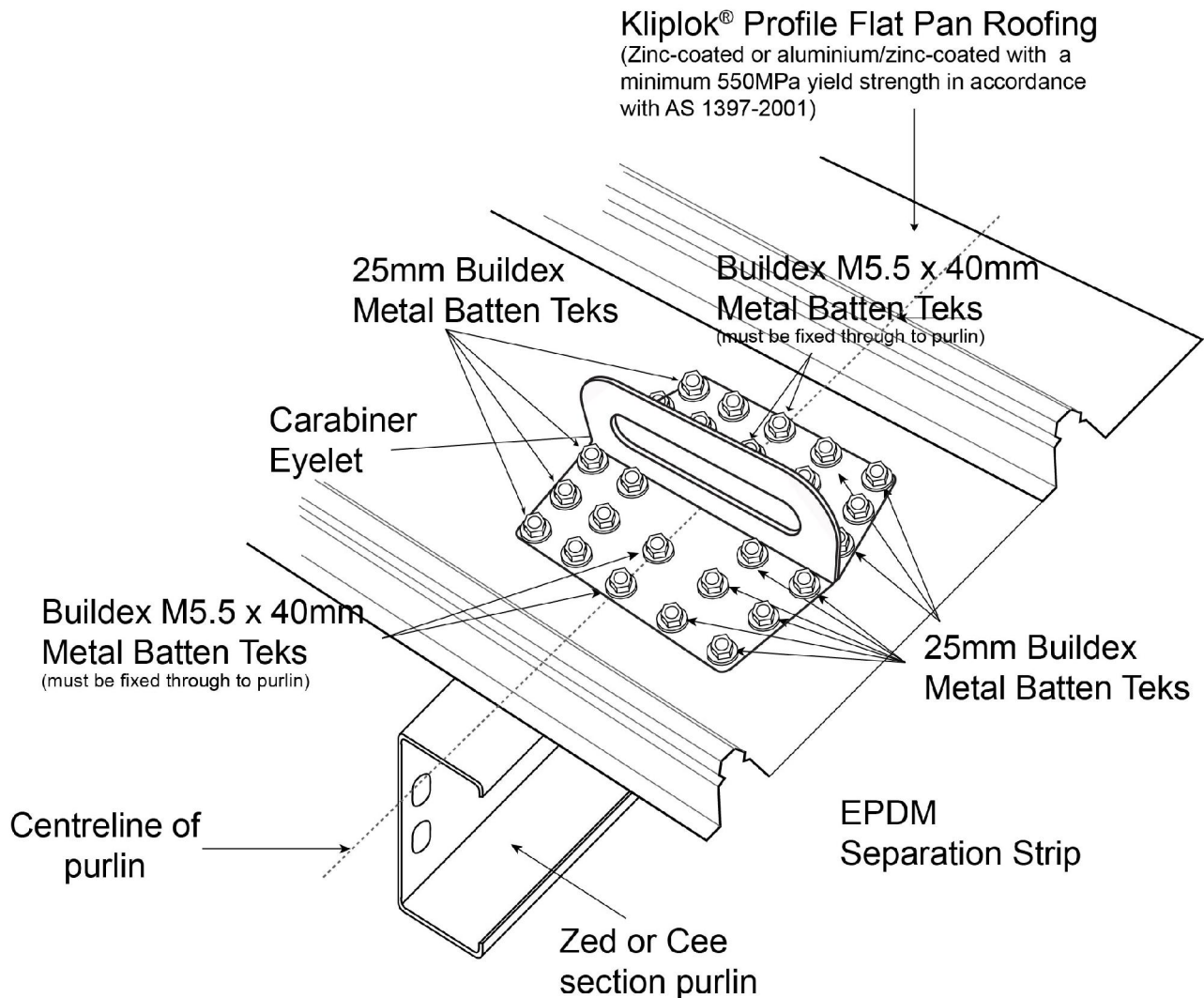


The RD-08:

Patent Pending

Flat Pan / Roof Deck Anchor

Fixing Diagram



NOTES:

- Place RD-08 in the pan between two ribs with the centre four holes placed along the centre of the purlin or batten
- The RD-08 is fixed into a purlin/batten laterally through the centre four holes with the M5.5 x 40mm Batten Tek's or Zips
- The EPDM separation strip adhered to the underside of RD-08 must be in place when fitting the anchor.
- All remaining Twenty Four (24) holes of the RD-08 must be fixed with the 25mm metal batten tek's.
- Ensure that all screws are firmly fixed but NOT overtightened with all washers in tact under the heads of the screws

SECURE ANCHOR SYSTEMS recommends that all anchor installers & users be 'competent' in accordance with AS 1891, relevant Codes of Practice and applicable OH&S acts in your state.

SECURE ANCHOR SYSTEMS always recommends placement of anchors using a 'fall restraint' methodology and working in a 'fall restraint' mode when working at heights.