



Technical Data Sheet

“TA-09 Tile/Slate/Shingle Roof Anchor”

AMERICAN SHINGLES PTY LIMITED t/a
ABN: 47 095 175 867

Unit 26, 56-58 O’Riordan Street
ALEXANDRIA NSW 2015

TELEPHONE: 1300 131 881
FACSIMILE: 1300 731 881

EMAIL: info@superanchor.com.au

1. PRODUCT NAME:

The TA-09 fall arrest roof anchor

2. MANUFACTURER/DISTRIBUTOR:

American Shingles Pty Limited trading as Secure Anchor Systems

3. PRODUCT DESCRIPTION:

A surface mounted stainless steel roof anchor to suit a appropriate clay and concrete tiles, various forms of slate and faux slate and timber and asphalt shingle roofing providing height safety in fall arrest and restraint applications.

Limitations: The anchor is rated to 21kN but not to be utilised by more than one person and as such, not be subject to a load of more than 15kN in accordance with AS/NZS 1891.4 (Table 3.1). At no stage must the worker subject to the anchor, any loads from above the ‘TA-09’ on the roof plane. The anchor can only ensure fall restraint/arrest in a downward direction, ie. **WORK BELOW THE ANCHOR AT ALL TIMES!** Do not work in a fashion that will apply a an arresting load perpendicular to the ‘TA-09.

Composition and Materials: The ‘TA-09’ is composed of 304 Stainless Steel in either a mill finish with a stainless steel D-Ring. TA-09’ utilises 6 screws to surface mount the anchor to a rafter or adequately performing structural member.

Applicable Standards: Australian/New Zealand Standard 1891.4

4. TECHNICAL DATA:

Weight (approx.):	350 Grams
Dimensions (overall):	450mm x 50mm x 8mm nominal
Screw Fixings:	6 off Buildex M6x50mm Hex Head HG Seal C4 ‘Roof Zips’ (1-030-9306-CTPEB)
Weather exposure:	100mm x 50mm

5. INSTALLATION:

Installation instructions including diagrams are supplied with each anchor, or separate application sheets may be obtained from Secure Anchor Systems and are provided as a guide only. Following is a general summary of the installation method. NOTE - Refer to application instructions supplied with the ‘TA-09’ for further information and application procedures.

If there is any doubt or non surety as to the application of this anchor in accordance with these instructions please contact Secure Anchor Systems or a certified practising structural engineer for further direction or clarification.

Roof Requirements: Apply the ‘TA-09’ to a Tile/Slate or Shingle roof fixed in accordance with the manufacturer’s instructions, all applicable building codes and Australian Standards. The rafter or structural member must be adequately strong enough to withstand 15kN of load.

Application & Fastening: Six (6) screws are required to be used on the ‘TA-09’ roof anchor. Two holes are centred on the anchor, one at the top and one at the bottom with two pairs of holes running down of the stem and off set to each other. The M6 x 50mm Roof Zips are required to be fastened through all holes into a rafter that has a minimum strength grade of MGP10.

Bend the anchor to an angle greater than the roof pitch at a distance no less than the tile overlap + 15mm. This will enable to anchor to sit snugly and push down on the tile that it sits upon. Place the anchor over and centred on a rafter with the bend at the rear of the tile. Apply pressure and push the anchor strap against the rafter maintaining the bend at the rear of the tile. Fix the first roof zip in the second hole from the bottom of the anchor. Fix the screw firmly in place ensuring that the anchor is centred over the rafter. Fix the second screw in the top hole and then fill the remaining three screw in between. Ensure the screws are firmly fixed but not overtightened.

Fix the last and remaining screw in the bottom hole closest to the D Ring. As the strap will curve up from the rafter to bridge the difference in height of the thickness of the tile and the batten, this screw must be fixed without screwing flat to the rafter. Screw the roof Zip down to the face of the strap without it pulling the D Ring off the tile. If this happens, release the screw to allow the D Ring to sit flat on the tile.

Place the overlapping tile back over the anchor and nibble off the lip on the underside of the tile to the width of the strap of the anchor. This will allow the tile to sit flat on the anchor and the underlying tile. If there is a risk of wind driven water being blown up under the tile, a bead of sealant may be placed on the bottom edge of the tile to prevent this from occurring.

Flashing: The 'TA-09' requires no additional flashings.

6. AVAILABILITY AND COST:

Contact **Secure Anchor Systems** for current pricing and supply information for Australia and New Zealand.

7. MAINTENANCE:

The 'TA-09' should be checked annually at the very least by a 'competent' person as required and/or detailed in Government OH&S Acts, Codes of Practice and all applicable building codes. The 'TA-09' Tile/Slate and Shingle Anchor must also be checked prior to any attachment or use ensuring that the anchor has not been subject to any fall loads nor that it has been tampered with. Ensure that the 'TA-09' is firmly attached to the rafter and not loose with the use of all screw fixings as detailed in 4. Technical Data above and the illustration following. Ensure all safety equipment to be used in conjunction with the 'TA-09' is checked prior to use.

If there is any doubt or non surety as to the performance of any installed anchor DO NOT USE OR ATTACH TO IT and contact a certified practising structural engineer or Secure Anchor Systems for further direction.

8. TECHNICAL SERVICES:

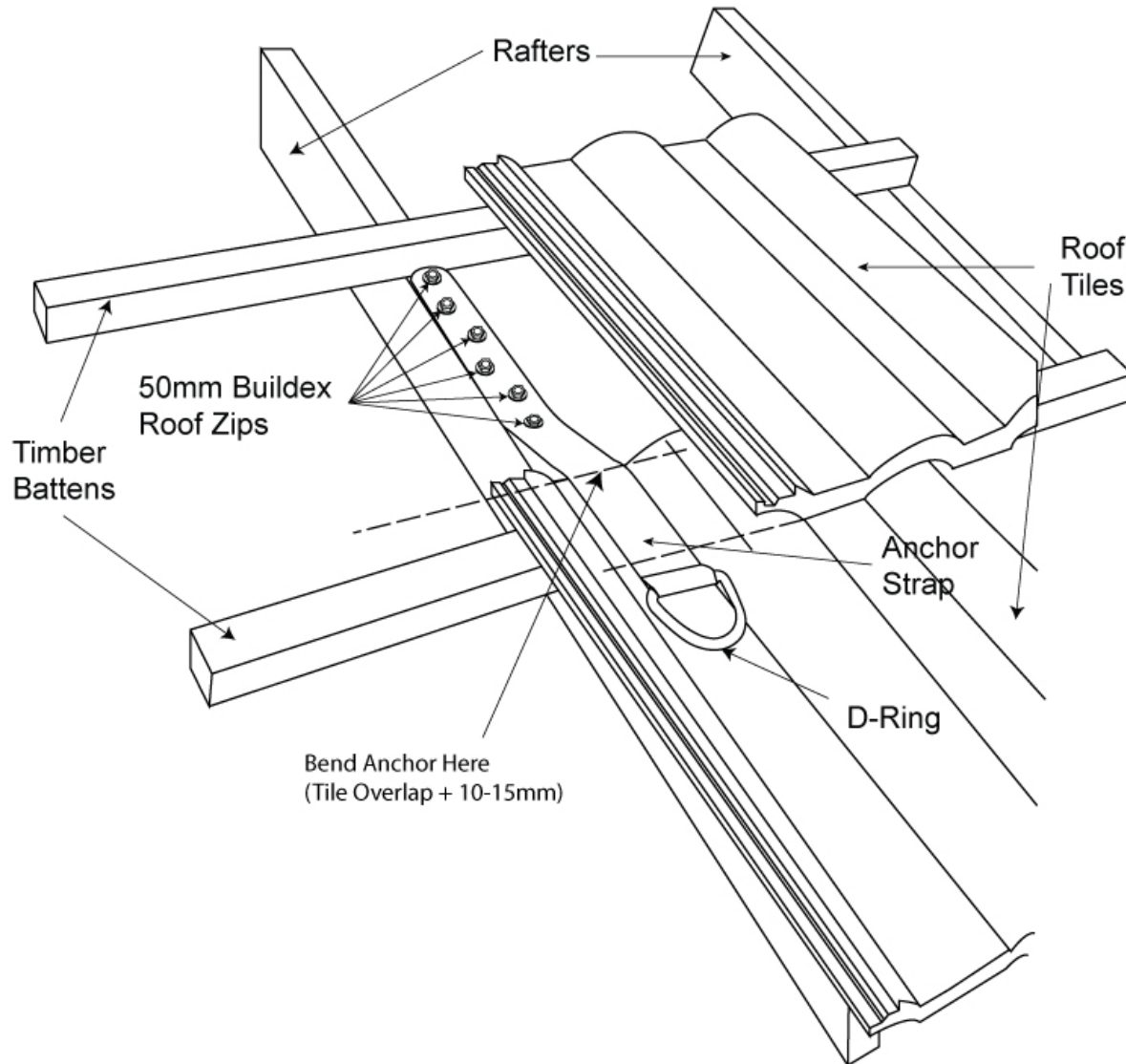
Technical support and assistance is available through **Secure Anchor Systems**.

For additional information and literature contact **Secure Anchor Systems: Telephone 1300-131-881 | Facsimile 1300-731-881**

The TA-09:

Tile Roof Anchor

Fixing Diagram

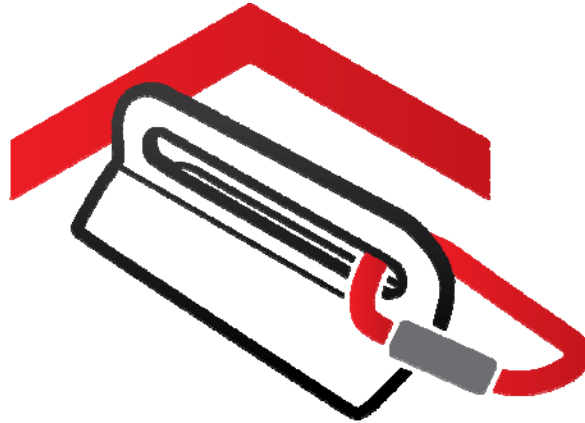


NOTES:

- Bend the anchor strap greater than the pitch of the roof by the distance of the overlap + 15mm from the rear of the D ring
- Place the anchor with the strap centred over a rafter with the bend at the rear of the tile it is going to sit upon.
- Push the strap down against the rafter and fix the roof zips in place from the second screw hole from the bottom of the anchor
- Place the last and sixth screw in the bottom hole closest to the D ring. The strap will not sit flat to the rafter at this point
- Ensure that all screws are firmly fixed but NOT overtightened with all washers in tact under the heads of the screws

SECURE ANCHOR SYSTEMS recommends that all anchor installers & users be 'competent' in accordance with AS 1891, relevant Codes of Practice and applicable OH&S acts in your state.

SECURE ANCHOR SYSTEMS always recommends placement of anchors using a 'fall restraint' methodology and working in a 'fall restraint' mode when working at heights.



SecureAnchor

S Y S T E M S

“It’s all about staying on top”

NATIONAL OFFICE:
Unit 26, 56-58 O’Riordan Street
ALEXANDRIA NSW 2015

TELEPHONE: 1300 131 881
FACSIMILE: 1300 731 881

EMAIL: info@secureanchor.com.au

© Copyright American Shingles Pty Limited, 1 June, 2010. All rights reserved.