

Secure Anchor

SYSTEMS

AMERICAN SHINGLES PTY LIMITED t/a
ABN: 47 095 175 867

Unit 26, 56-58 O'Riordan Street
ALEXANDRIA NSW 2015

TELEPHONE: 1300 131 881
FACSIMILE: 1300 731 881

EMAIL: info@secureanchor.com.au

Technical Data Sheet

"RD-08 Roof Anchor"

1. PRODUCT NAME:

The "RD-08" (Patent Pending) standing rib profile 360° fall restraint/fall arrest roof anchor to suit roof profiles such as Kliplik®700 series and membrane roofing applications. Other roof anchors are available for some other styles of standing seam metal/pan roof profiles.

2. MANUFACTURER/DISTRIBUTOR:

American Shingles Pty Limited trading as Secure Anchor Systems

3. PRODUCT DESCRIPTION:

A surface mounted stainless steel roof anchor to suit square rib metal roof profile sheeting with a minimum base metal thickness (BMT) of 0.42mm. The roof sheeting should be continually spanning a minimum five metal battens, purlins or timber roof battens (MGP10, 75mm x 34mm minimum).

Limitations: The anchor is NOT to be utilised by more than one person at any time in accordance with AS/NZS 1891.4 (Table 3.1). Do not use if the anchor does not firmly fit the roof sheet profile or flat on the roof deck. The anchor is strength rated to 15kN. The anchor is NOT to be used for fastening/tethering other items such as TV antennae, satellite dishes, solar panels, shade structures etc...

Composition and Materials: The 'RD-08' is composed of 304 Stainless Steel in either a mill finish or powdercoated to match the roof sheet colours. The 'RD-08' utilises twenty four (24) off 25mm long metal batten 'teks' & four (4) off M5.5 x 40mm and is surface mounted with a waterproof, self adhering EPDM foam separation strip.

Applicable Standards: Complies with Australian/New Zealand Standard 1891.4 (2000) – 15kN for single person attachment.

4. TECHNICAL DATA:

Weight (approximately):	200 Grams (without fixings)
Dimensions (overall):	135mm x 150mm x 165mm nominal foot print
Screw Fixings:	24 off Buildex 15-15x25mm Hex Head HG Seal 'MBTeks' (6-310-3498-1C4) 4 off M5.5 x 40mm Hex Head HG Seal Zips All screws are Climaseal 4 - AS3566 Class 4 coating

5. INSTALLATION:

Installation instructions are supplied with each anchor, or separate application sheets may be obtained from Secure Anchor Systems and are provided as a guide only. Following is a general summary of the installation method.

NOTE - Refer to application instructions supplied with the 'RD-08' for further information and application procedures.

If there is any doubt or non surety as to the application of this anchor in accordance with these instructions please contact Secure Anchor Systems or a certified practising structural engineer for further direction or clarification.

Roof Requirements: Apply the 'RD-08' to a standing square rib metal roof profile fixed in accordance with the roof sheet manufacturer's instructions, all applicable building codes and Australian Standards. A roof sheet with minimum base metal thickness of 0.42mm (with a minimum 550MPa yield strength in accordance with AS 1397-2001) must be utilised and continually span across five battens for the 'RD-08' to ensure fall arrest along the sheet when installed in accordance with these instructions.

Application & Fastening on roofsheets:

A: To timber battens or metal purlins:

Make sure that the EPDM flashing/separation is fixed between the roof sheeting and the stainless steel fabric of the roof anchor ensuring a tight waterproof seal. This must also be placed to ensure no reaction will occur between the stainless steel anchor and the Colorbond or Zinalume roof sheeting.

The four (4) Buildex M5.5 x 40mm Zips are required to be used through the centre four holes in the anchor with the remaining twenty four (24) x Buildex 15-15x25mm Hex Head HG Seal 'Metal Batten Tek's and across all holes fixing into the roof sheet. Ensure that the screws are secured firmly against the anchor and the roof sheet so there is no movement. DO NOT over tighten the screws as this may strip the thread and compromise the screw's holding power and shear strength in the event of a fall. We suggest using a torque setting commonly available on cordless drills.

NOTE: Fix anchor using the M5.5 x 40mm Zips through the batten or purlin first to pull the anchor down. Then start fixing the anchor in place with the batten teks from the inside out to the perimeter of the anchor using a torque setting on your drill. When the last screw is fixed, run over the screws again to ensure tightness as the anchor is compressed with each screw application.

DO NOT use existing roof screws to fasten the 'RD-08'. DO NOT use any other screws than those supplied or specified above. DO NOT reuse any screws nor the holes of an existing application if a 'RD-08' is removed and re-installed. The anchor is NOT to be used for fastening/tethering other items such as TV antennae, satellite dishes, solar panels, shade structures etc...

Flashing: The 'RD-08' requires no additional flashings or sealing other than the application of the enclosed self adhering EPDM foam seal/separation strip. You may apply a bead of sealant around the perimeter of the anchor if there is any unsurety as to water resistance

6. AVAILABILITY AND COST:

Contact **Secure Anchor Systems** for current pricing and supply information for Australia and New Zealand.

7. MAINTENANCE:

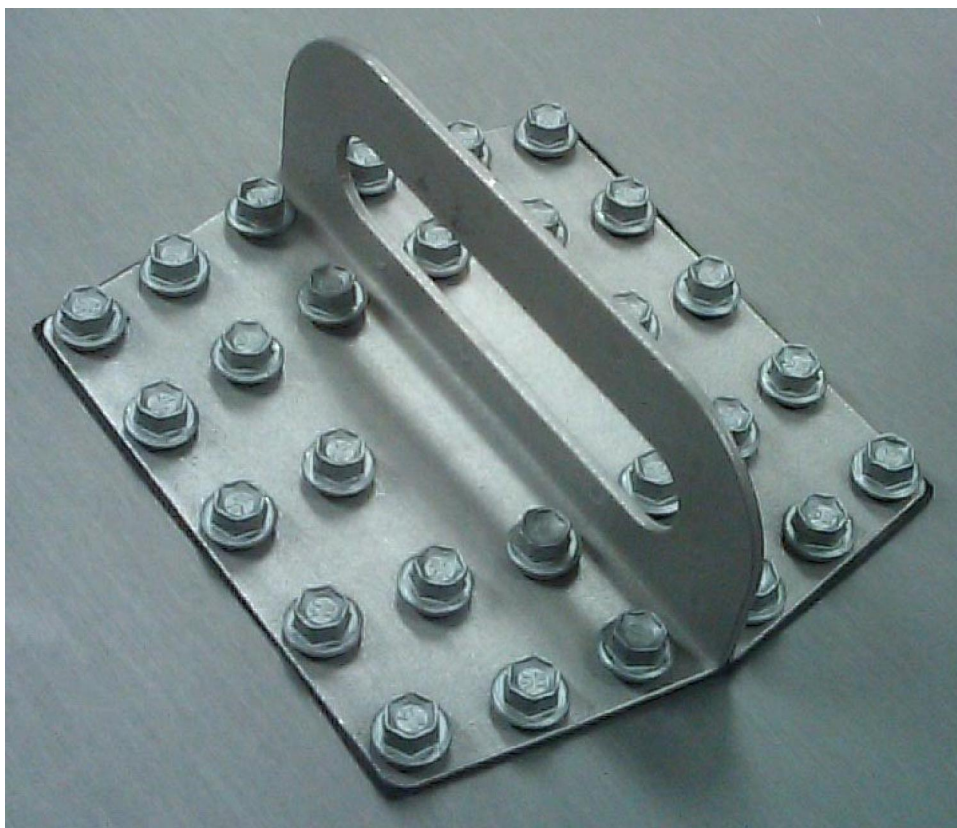
The 'RD-08' must be checked, recorded and identified annually at the by a 'competent' person as required and/or detailed in Government OH&S Acts, Codes of Practice and all applicable building codes. The 'RD-08' must also be checked prior to any attachment or use ensuring that the anchor has not been subject to any fall loads nor that it has been tampered with. Ensure that the 'RD-08' is firmly attached to the roof, not loose, using of all screw fixings as detailed in Item 4. Technical Data (noted above) and with no other attachments fixed to the anchor. Ensure all safety equipment to be used in conjunction with the 'RD-08' is checked prior to use.

If there is any doubt or non surety as to the performance of any installed anchor DO NOT USE OR ATTACH TO IT and contact a certified practising structural engineer or Secure Anchor Systems for further direction.

8. TECHNICAL SERVICES:

Technical support and assistance is available through **Secure Anchor Systems**.

For additional information and literature contact **Secure Anchor Systems: Telephone 1300-131-881 Facsimile 1300-731-881**

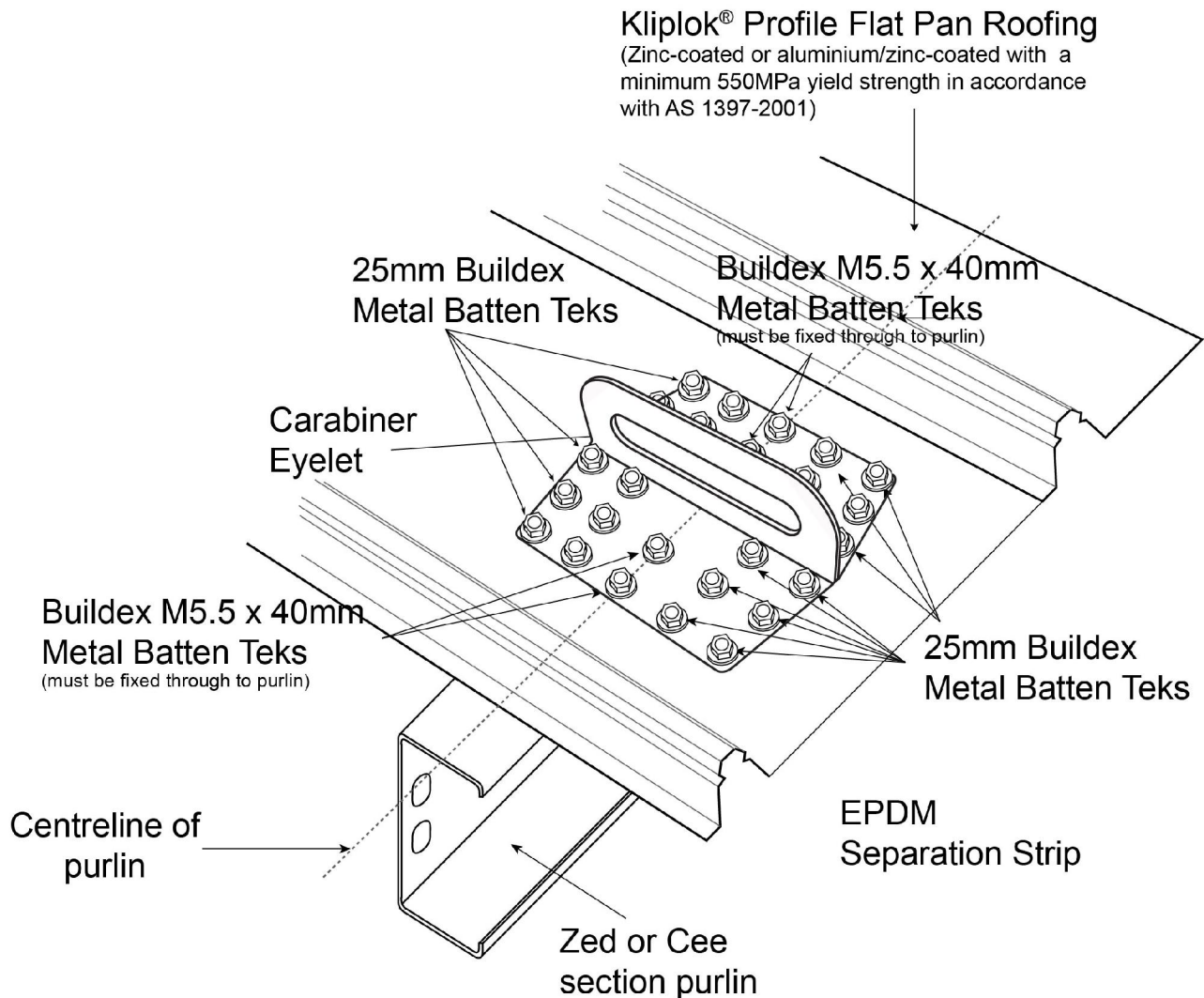


The RD-08:

Patent Pending

Flat Pan / Roof Deck Anchor

Fixing Diagram

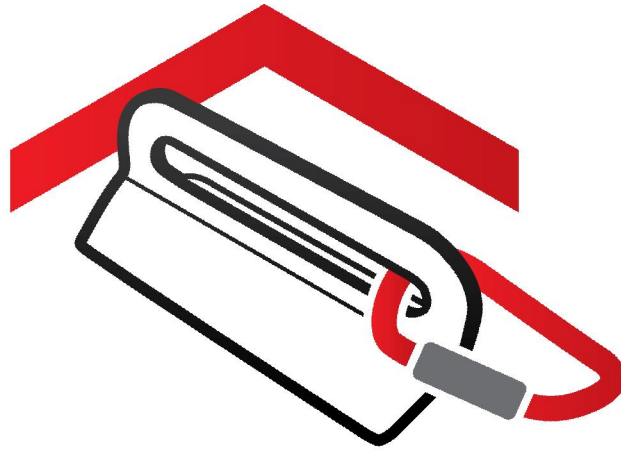


NOTES:

- Place RD-08 in the pan between two ribs with the centre four holes placed along the centre of the purlin or batten
- The RD-08 is fixed into a purlin/batten laterally through the centre four holes with the M5.5 x 40mm Batten Tek or Zips
- The EPDM separation strip adhered to the underside of RD-08 must be in place when fitting the anchor.
- All remaining Twenty Four (24) holes of the RD-08 must be fixed with the 25mm metal batten teks.
- Ensure that all screws are firmly fixed but NOT overtightened with all washers in tact under the heads of the screws

SECURE ANCHOR SYSTEMS recommends that all anchor installers & users be 'competent' in accordance with AS 1891, relevant Codes of Practice and applicable OH&S acts in your state.

SECURE ANCHOR SYSTEMS always recommends placement of anchors using a 'fall restraint' methodology and working in a 'fall restraint' mode when working at heights.



SecureAnchor

S Y S T E M S

“It’s all about staying on top”

NATIONAL OFFICE:
Unit 26, 56-58 O’Riordan Street
ALEXANDRIA NSW 2015

TELEPHONE: 1300 131 881
FACSIMILE: 1300 731 881

EMAIL: info@secureanchor.com.au

© Copyright American Shingles Pty Limited, 1 June, 2010. All rights reserved.